


**APPLICATIONS:**

- Live sound systems
- Touring rigs
- Installations
- Arenas and stadiums
- Houses of worship
- Rentals

**SXA28P FEATURES:**

- 1600 Watts peak power rating
- Dual 8" LF drivers
- Dual 1" HF drivers
- Quick and easy to set up for a wide variety of configurations
- Optimized for short or medium-throw, indoors or out

**SXA18P FEATURES:**

- 3000 Watts peak power rating
- 18" Vented Subwoofer
- Optimized for short or medium-throw
- Suitable for indoor or outdoor installation
- Configurable in a stereo system, mono center, or delay tower

**TOURMAX SXA28P**

The SXA28P is a two-way line array loudspeaker with dual 8-inch low frequency drivers and dual 1-inch high frequency drivers capable of handling a wide variety of applications. SXA28P loudspeakers are optimized for accurate audience coverage and can be installed indoors or out as a stereo system, mono center, or as delayed tower. When combined with the Alto Professional SXA18P 18-inch vented subwoofer, SXA28P loudspeakers are engineered to deliver a wide array of configuration options, allowing easy incorporation of up to four SXA28P systems as needed for any short or medium throw application. The SXA28P is capable of handling 1600 Watts peak, 800 Watts program, and 400 Watts continuous with a coverage of 7.5° Vertical and 100° Horizontal and a maximum tilt capability of +20°/0°/-20°. Suggested configurations include 2 x SXA18P subwoofers usable from 37 Hz to 180 Hz, plus 4 x SXA28P speakers usable from 77 Hz to 18 kHz and one STAGEDRIVE+ Digital Processor that includes factory presets and user memory for custom presets.

**TOURMAX SXA18P**

The SXA18P is an 18" vented line array subwoofer capable of handling a wide variety of applications. When combined with one or more Alto Professional SXA28P speakers, the SXA18P is engineered to deliver a wide array of configuration options, allowing you to easily incorporate it with up to four SXA28P loudspeakers as needed for any short or medium throw environment. The SXA18P is capable of handling 3000 Watts peak, 1500 Watts program or 750 Watts continuous.

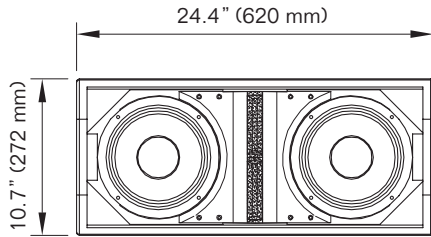
**SXA28P SPECIFICATIONS**

Operating Frequency Range (-10 dB):	65 Hz - 20 kHz
Frequency Response (-3 dB):	77 Hz - 18 kHz
Maximum SPL @ 1m:	125 dB Peak (Passive Mode) 122 dB SPL Continuous (Passive Mode)
Power Rating (Passive):	(AES Standard) 1600 W peak / 800 W program / 400 W cont. Bi-amp low: 1600 W peak / 800 W program / 400 W cont. Bi-amp high: 300 W peak / 150 W program / 75 W cont.
Coverage Horizontal:	100° nominal
Coverage Vertical:	7.5° per enclosure
Transducers (LF):	2 x 8" Mid-Bass, 2" high-power voice coil, ferrite magnet, weather resistant cone. Impedance 16Ω each.
Transducers (HF):	2 x 1.4" Titanium diaphragm, neodymium magnet, 1" exit Impedance 16Ω
Crossover Modes:	Passive or Bi-Amp with High frequency external level selector, used or Far-field (-3 dB) or Near-field (0 dB)
System Sensitivity (1W@1m):	97 dB SPL (passive) Bi-Amp Low 97 dB (2 device parallel) Bi-Amp High 107 dB (2 device parallel)
Nominal Impedance:	Passive 8Ω Bi-Amp Low 8Ω (2 device parallel) Bi-Amp High 8Ω (2 device parallel)
Suspension/Mounting:	Integrated hardware for suspension in Line Array, dual 36 mm diameter pole socket, two handles
Input Connectors:	Two Speakon NL-4 type
Dimensions (HxWxD):	10.7" x 24.4" x 16.7" (272 mm x 620 mm x 424 mm)
Net Weight:	48.1 lbs (21.8 kg)

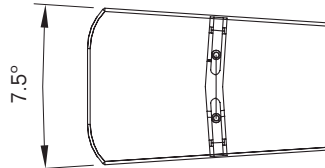
**SXA18P SPECIFICATIONS**

Operating Frequency Range (-10 dB):	37 Hz - 200 Hz
Frequency Response (-3 dB):	43 Hz - 200 Hz
Maximum SPL @ 1m:	125 dB Peak (Direct Mode) 122 dB SPL Continuous (Direct Mode)
Power Rating (Direct Mode):	(AES Standard) 3000 W peak / 1500 W program / 750 W cont.
Transducers Low:	18" Subwoofer, 4" voice coil high-power ferrite magnet, weather resistant cone.
Crossover Modes:	Passive / Direct with external selector
System Sensitivity (1W@ 1 m):	97 dB SPL (passive configuration)
Nominal Impedance:	8Ω (nominal)
Suspension/Mounting:	Single 36 mm pole socket, four integrated points for line array suspension, two handles, optional casters
Enclosure:	18 mm birch plywood, black finish, perforated metal grille, silver finish
Input Connectors:	Two Speakon NL-4 type
Dimensions (HxWxD):	24.4" x 24.4" x 27.5" (620 mm x 620 mm x 699 mm)
Weight:	114.2 lbs (51.8 kg)

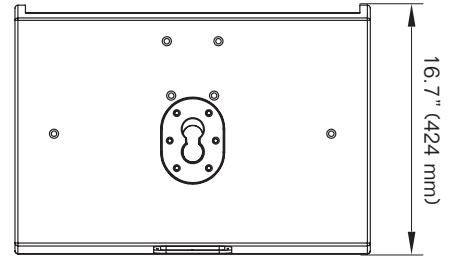
**SXA28P DIMENSIONS**



FRONT

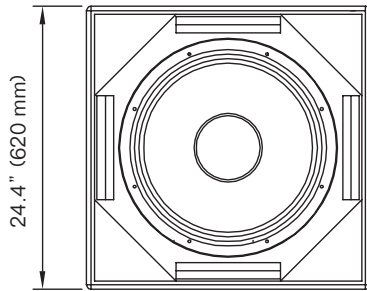


SIDE

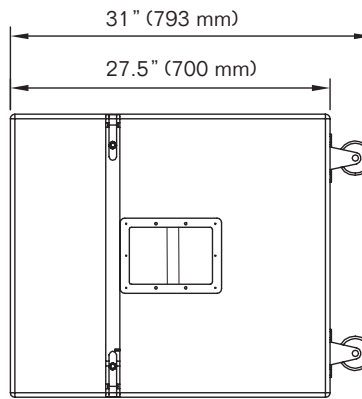


TOP

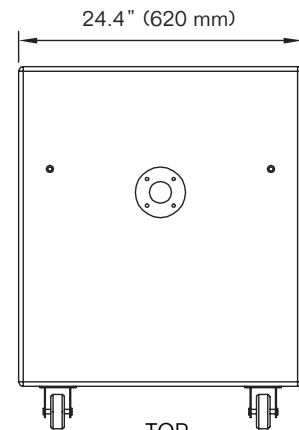
**SXA18P DIMENSIONS**



FRONT

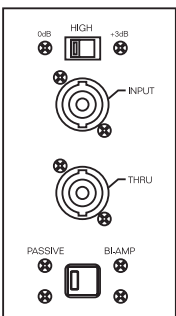


SIDE

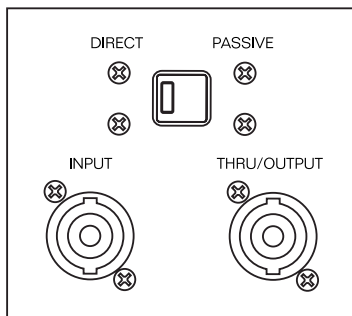


TOP

**CONNECTORS**

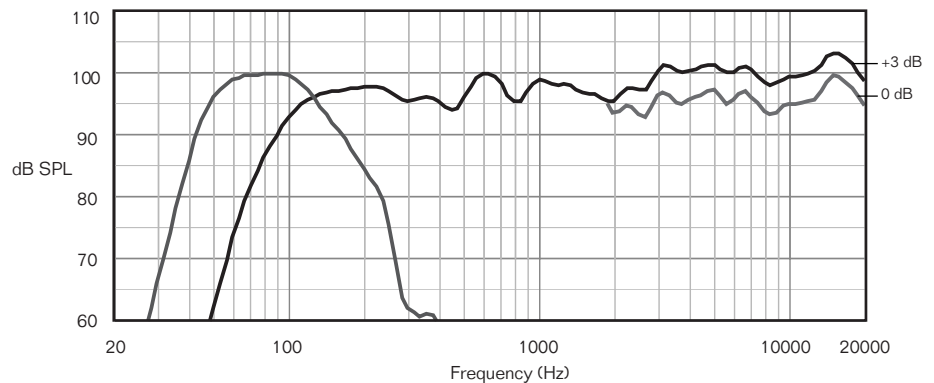


SXA28P

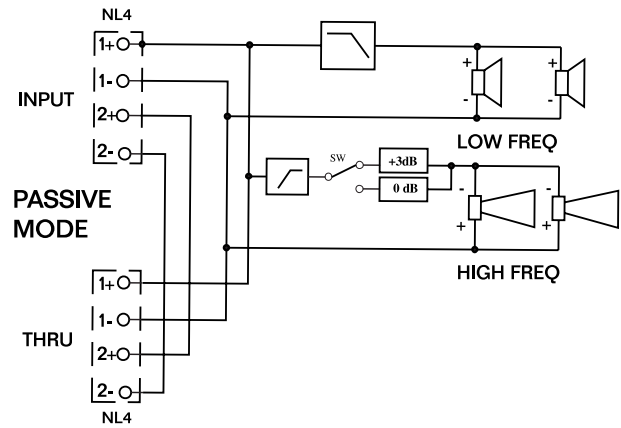
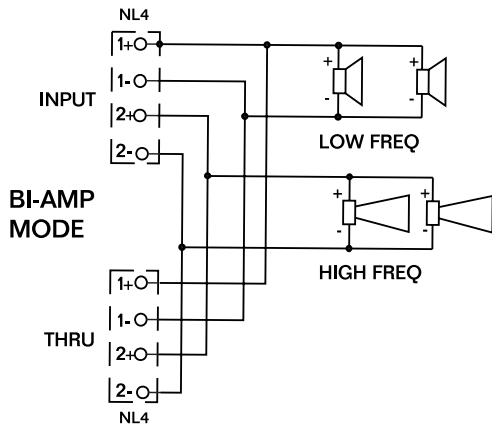


SXA18P

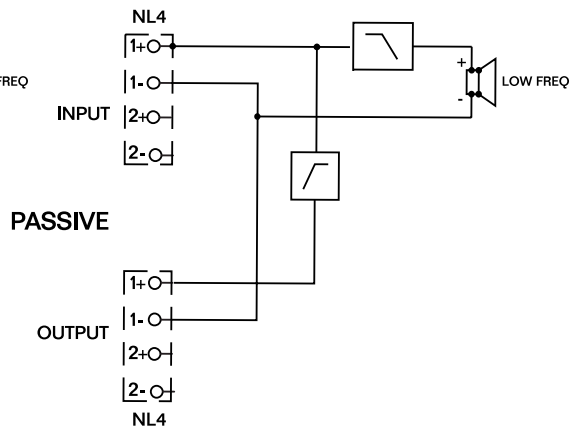
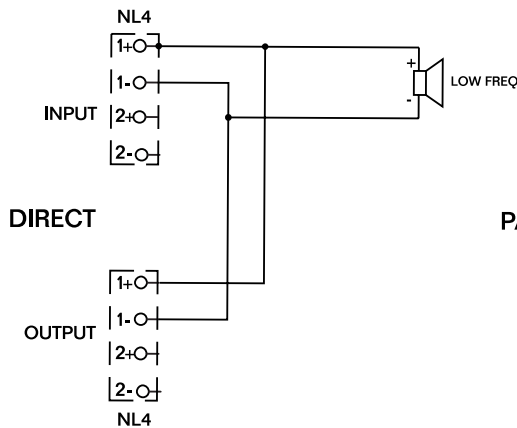
**ON AXIS FREQUENCY RESPONSE**



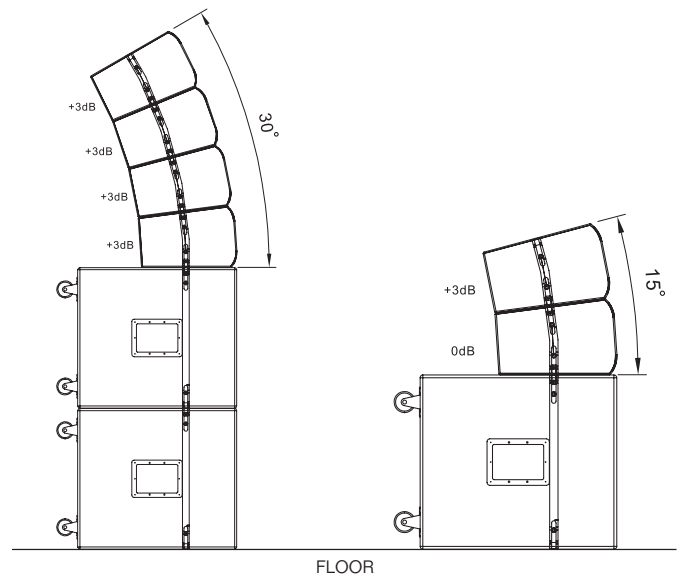
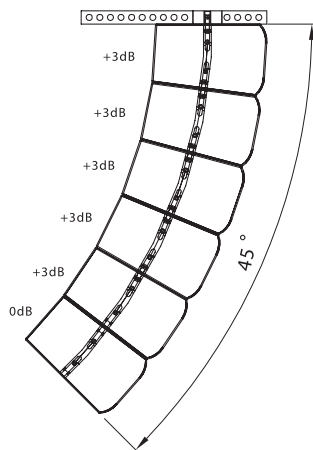
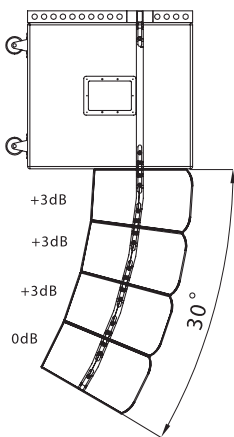
**SXA28P BLOCK DIAGRAM**



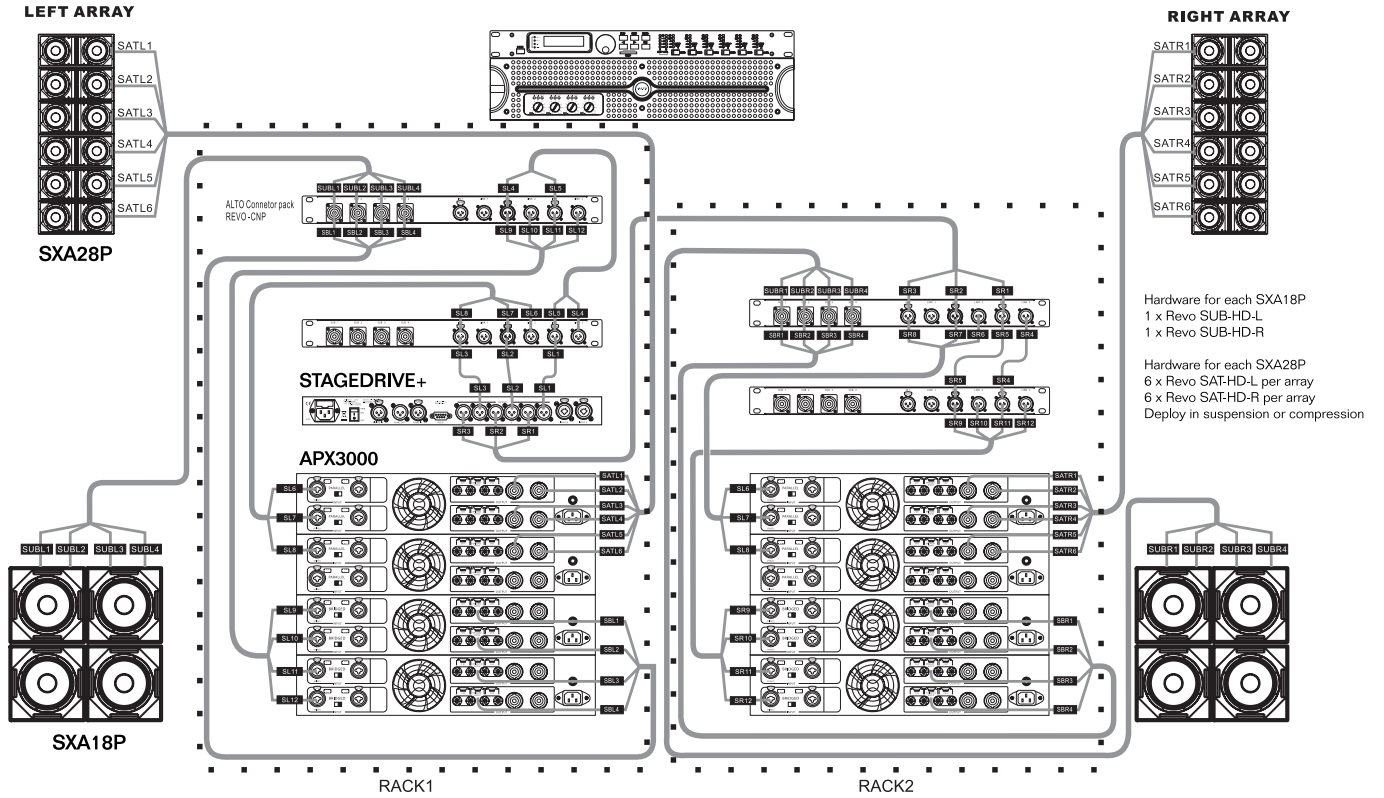
**SXA18P BLOCK DIAGRAM**



**ARRAY CONFIGURATIONS**



### TYPICAL APPLICATION



Recommended Accessories: STAGEDRIVE+, APX3000, ALTO CONNECTOR PACK

### MAXIMUM ARRAY CONFIGURATIONS

Maximum quantity of SX28P in array	2	3	4	5	6
Maximum quantity of SX18P in array	1	1	1	0	0

### SUSPENSION COMPONENTS

